

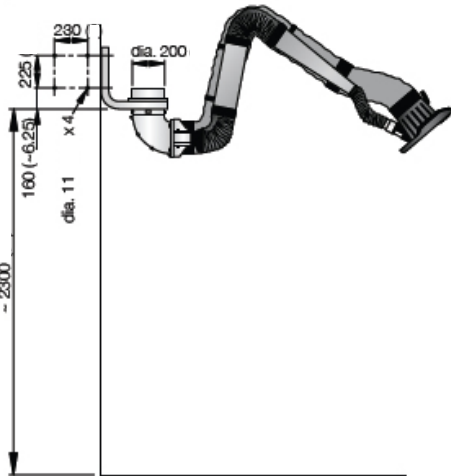
# Origo™ Vac Arm HD

## The ultimate heavy-duty fume extraction arm for tough welding applications

The Origo™ Vac Arm HD is the top of the range arm when it comes to high airflows and extraction of media with higher temperatures than normal. The arm is specially designed to provide a sound, safe and efficient working environments which is effected with very heavy smoke, vapours or non explosive dusts. The applications can be welding, laser or hand plasma-cutting, metal spraying, grinding where lots of spatter is generated, or other industrial processes where a perfectly balanced and easily positioned arm is required.

The HD (heavy duty) Arm is connected to a vacuum and filter system to provide a complete solution to fumes in the working environment

mm (inch)



### Key Features

- The Arm can be mounted in combination with the Origo™ Vac Fan and Origo™ Vac Wall Mounted Filter
- Large 200mm hose dimension for better air flow
- Robust swivel, which allows the product to rotate 360 degrees.
- Support mechanism of the arms is encapsulated which protects against dirt
- Flexible and simple to position, extend and retract
- Equipped with a damper in the hood as standard – saves energy when not in operation
- Hood can be tilted in all directions -aluminium head for making light weight
- Available in 3m or 4m lengths
- Hose is easy to remove for cleaning
- Optional light kit for hood for easy on/off action
- Optional on/off combined with the Automatic Filter System on hood
- Interchangeable with the addition of a bracket on wall mounted systems

## Technical Data

	Origo™ Vac MD 3m	Origo™ Vac MD 4m
Reach	3 meters	4 meters
Airflow m3/h	1000-1900	1000-1900
Dimension of Hose, mm	200	200
Max. fume temperature deg/C	120	120
Weight, kg	21kg	28kg

## Ordering Information

Origo™ Vac HD Arm 3m (excluding wall bracket)	0700 003 030
Origo™ Vac HD Arm 4m (excluding wall bracket)	0700 003 031

## Optional Extras

Origo™ Vac Wall Mounted Filter	0700 003 040
Origo™ Vac Fan N24 1ph	0700 003 229
Origo™ Vac Fan N24 3ph	0700 003 020
Origo™ Vac Fan N29	0700 003 022
Wall bracket 3m arm	0700 003 214
Wall bracket 4m arm	0700 003 215
Light kit	0700 003 211

## Quality protection for the professional welder

As health and safety standards improve year on year so does ESAB's commitment to providing a product portfolio capable of meeting the ever-increasing demands of the markets we serve. In addition to fume extraction units ESAB can offer protection for the welder -from disposable masks to respiratory equipment. ESAB have a comprehensive range of Personal Protection equipment, covering everything from head to toe, for both welding and cutting and general engineering applications.

For further information visit our website: [www.esab.com](http://www.esab.com)

## Products and solutions - Additional fume extraction solutions

### Portable and Mobile Filter Systems



#### CarryVac

- Small, lightweight, portable extraction unit
- To be connected to a welding torch or an extraction nozzle
- Automatic start/stop function when welding



#### Origo™ Vac C10 Unit

- For light- medium welding applications
- Cleanable long life filter keeps operating costs low
- Extraction arm swivels 360 degrees
- Lockable wheels for portability and movement



#### Origo™ Vac Cart

- For light- welding and extraction applications
- 2 or 3m Extraction Arm
- Available in two versions – with or without spotlight
- Large back wheels and lockable front swivel wheels for outstanding mobility and safety

### Wall Mounted Systems



#### Origo™ Vac Fan Series

- A range of fans from 0.75kW to 2.2kW
- Highly efficient eco-friendly fan wheel
- Available for wall mounting or with floor stand



#### Origo™ Vac Wall Mounted Filter

- Simple and quick installation – few parts
- Filtration efficiency is 99%
- Can be fitted with various Origo™ Vac arms



#### Origo™ Vac Original Arm

- All round arm for medium welding applications
- Required airflow 700-1000 m3/h
- 160mm hose



#### Origo™ Vac MD Arm

- Sturdy arm for medium to heavy applications
- Required airflow 900-1300 m3/h
- 160mm hose



ESAB AB  
Box 8004, SE-402 77 Göteborg, Sweden  
Phone: +46 31 50 90 00 Fax +46 31 50 93 90  
E-mail: [info@esab.se](mailto:info@esab.se)  
[www.esab.se](http://www.esab.se)

