

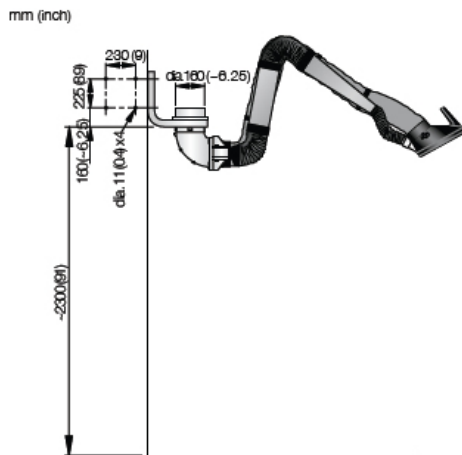
Origo™ Vac Arm MD

A sturdy fume extraction arm for medium-heavy welding applications

Origo™ Vac Arm MD is an effective and efficient extraction solution for capturing and removing welding and similar fumes. This minimizes the risk of the welder or operator to ensure a sound, safe and efficient welding environment.

The Origo™ Vac Arm MD has a 160mm hose, which together with the external arm system provides a high airflow and a low pressure drop. Perfectly balanced and simple to position.

The MD (medium duty) Arm is connected to a vacuum and filter system to provide a complete solution to fumes in the working environment



Key Features

- The Arm can be mounted in combination with the Origo™ Vac Fan and Origo™ Vac Wall Mounted Filter
- Flexible and simple to position, extend and retract
- Robust swivel – allows 360 degrees rotation
- Encapsulated support mechanism protects the arm against dust and dirt
- Damper in the hood – saves energy when not in operation
- Hood can be tilted in all directions
- Available in 3m or 4m lengths
- Hose is easy to remove for cleaning
- Optional light kit for hood for easy on/off action
- Optional on/off combined with the Automatic Filter System on hood
- Interchangeable with the addition of a bracket on wall mounted systems

Technical Data

	Origo™ Vac MD 3m	Origo™ Vac MD 4m
Reach	3 meters	4 meters
Airflow m3/h	900-1300	900-1300
Dimension of Hose, mm	160	160
Max. fume temperature deg/C	70	70
Weight, kg	20kg	27kg

Ordering Information

Origo™ Vac Arm MD 3m (excluding wall bracket)	0700 003 028
Origo™ Vac Arm MD 4m (excluding wall bracket)	0700 003 029

Optional Extras

Origo™ Vac Wall Mounted Filter	0700 003 040
Origo™ Vac Fan N24 1ph	0700 003 229
Origo™ Vac Fan N24 3ph	0700 003 020
Origo™ Vac Fan N29	0700 003 022
Wall bracket 3m arm	0700 003 214
Wall bracket 4m arm	0700 003 215

Quality protection for the professional welder

As health and safety standards improve year on year so does ESAB's commitment to providing a product portfolio capable of meeting the ever-increasing demands of the markets we serve.

In addition to fume extraction units ESAB can offer protection for the welder -from disposable masks to respiratory equipment.

ESAB have a comprehensive range of Personal Protection equipment, covering everything from head to toe, for both welding and cutting and general engineering applications.

For further information visit our website: www.esab.com

Products and solutions - Additional fume extraction solutions

Portable and Mobile Filter Systems



CarryVac

- Small, lightweight, portable extraction unit
- To be connected to a welding torch or an extraction nozzle
- Automatic start/stop function when welding



Origo™ Vac C10 Unit

- For light- medium welding applications
- Cleanable long life filter keeps operating costs low
- Extraction arm swivels 360 degrees
- Lockable wheels for portability and movement



Origo™ Vac Cart

- For light- welding and extraction applications
- 2 or 3m Extraction Arm
- Available in two versions – with or without spotlight
- Large back wheels and lockable front swivel wheels for outstanding mobility and safety

Wall Mounted Systems



Origo™ Vac Fan Series

- A range of fans from 0.75kW to 2.2kW
- Highly efficient eco-friendly fan wheel
- Available for wall mounting or with floor stand



Origo™ Vac Wall Mounted Filter

- Simple and quick installation – few parts
- Filtration efficiency is 99%
- Can be fitted with various Origo™ Vac arms



Origo™ Vac Original Arm

- All round arm for medium welding applications
- Required airflow 700-1000 m3/h
- 160mm hose



Origo™ Vac HD Arm

- For tough welding and metal working applications
- Required airflow 1000-1900 m3/h
- 200mm hose
- Metal hood

ESAB AB

Box 8004, SE-402 77 Göteborg, Sweden
Phone: +46 31 50 90 00 Fax +46 31 50 93 90
E-mail: info@esab.se
www.esab.se

